



ORIENT-CHIP

■ **General Description**

The OCH1900 is small, versatile linear Hall effect devices which are operated by the magnetic field from a permanent magnet or an electromagnet. They are optimized to accurately provide a voltage output that is proportional to an applied magnetic field. These devices have a quiescent output voltage that is 50% of the supply voltage.

The Hall-effect integrated circuit included in each device includes a Hall sensing element, a linear amplifier, and a CMOS Class AB output structure. Integrating the Hall sensing element and the amplifier on a single chip minimizes many of the problems normally associated with low voltage level analog signals.

High precision in output levels is obtained by internal gain and offset trim adjustments made at end-of-line during the manufacturing process.

The integrated circuitry provides increased temperature stability and sensitivity, for both linear target motion and rotational motion. These linear position sensors have an operating temperature range of -40°C to +125°C, appropriate for industrial environments. They respond to either positive or negative gauss, monitoring either or both magnetic poles. The quad Hall sensing element minimizes the effects of mechanical or thermal stress on the output. The positive temperature coefficient of the sensitivity helps compensate for the negative temperature coefficients of low cost magnets, providing a robust design over a wide temperature range.

The OCH1900 is available in small 3-pin SOT23 and SIP package, and is rated over the -40°C to +125°C. These packages are available in a lead (Pb) free version.

■ **Features**

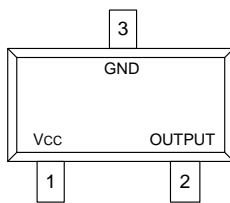
- Supply Voltage Range: 2.5V ~ 6.0V
- Fast Power-on Time
- Power Consumption of 5mA at 5V Supply Voltage
- Single Current Sinking or Current Sourcing Output
- Linear Output For Circuit Design Flexibility
- Ratiometric Output for A/D Interface
- Wide Sensible Magnetic Field Range on Different Supplied Voltage ± 1500 Gauss on 5V Supplied Voltage
- Rail to Rail Operation Provides More Useable Signal For Higher Accuracy
- Temperature Stable Quiescent Output Voltage
- Quad Hall Sensing Element For Stable Output
- Low Noise Output
- Responds to Either Positive or Negative Gauss
- Robust EMC Protection
- Temperature Range Of -40°C to +125°C
- RoHS Compliant and Halogen Free
- Miniature Package SOT23-3L And SIP-3L

■ **Applications**

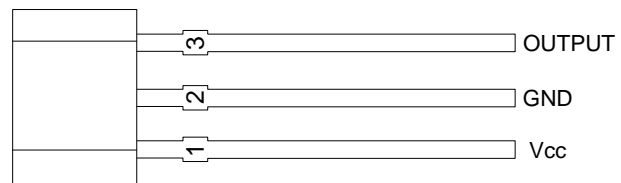
- Current Sensing
- Motor Control
- Linear Position Sensing
- Magnetic Code Reading
- Rotary Position Sensing
- Ferrous Metal Detector
- Vibration Sensing
- Liquid Level Sensing
- Weight Sensing

■ **Pin Configuration**

(Top View)



SOT-23-3L



SIP-3L

Figure 1, Pin Assignments of OCH1900

Pin Name	Pin No.		I/O	Pin Function
	SOT23-3L	SIP-3L		
VDD	1	1	P	Power Supply Pin.
GND	3	2	P	Ground Pin.
OUTPUT	2	3	O	Linear Voltage Output Pin.



Typical Application Circuit

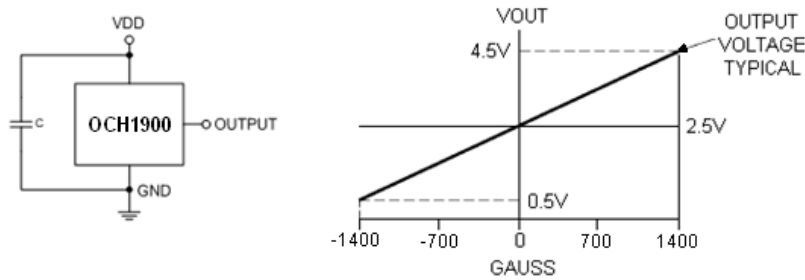


Figure 2, Typical Application Of OCH1900

Note: C is for power stabilization and to strengthen the noise immunity, the recommended capacitance is 10nF~100nF.

Ordering Information

Part Number	Sensitivity (Typ.)	Package Type	Package Qty	Temperature	Eco Plan	Lead
OCH1900WAE	1.4mV/Gauss	SOT23-3L	7-in reel 3000pcs/reel	-40~125°C	Green	Cu
OCH1900ME	1.4mV/Gauss	SIP-3L	Bulk 1000pcs/bag	-40~125°C	Green	Cu

Block Diagram

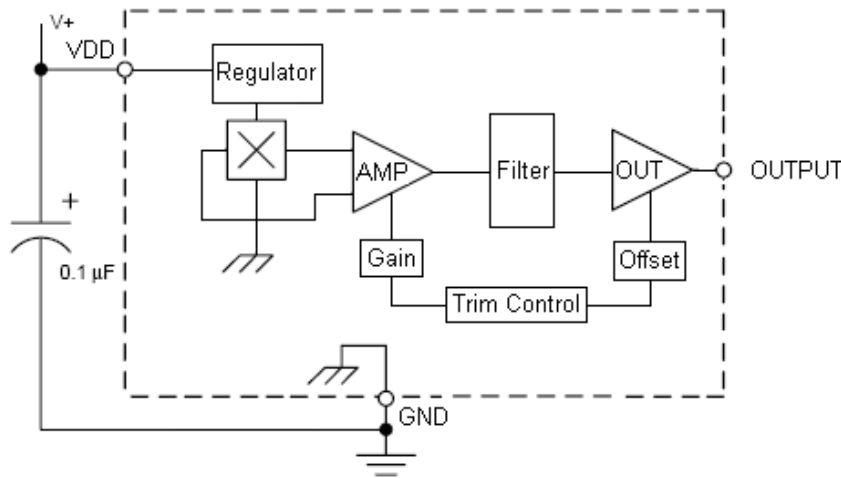


Figure 3, Block Diagram of OCH1900

Absolute Maximum Ratings

Parameter	Symbol	Rating	Unit
V _{DD} to GND	V _{DD}	-0.3 to 7.0	V
Output to GND	V _{OUTPUT}	-0.3 to V _{DD}	V
Output Current	I _{OUT}	±10	mA
Power Dissipation	P _D	0.436	W
Lead Temperature (Soldering, 10 Sec.)	T _{LT}	260	°C
Storage Temperature Range	T _S	-55 to +150	°C
Maximum Operating Junction Temperature Range	T _J	-40 to 150	°C