

100mA Positive Voltage Regulator

■ General Description

The OCP78L05 is three terminal positive regulators designed for a wide variety of applications including local, on-card regulation. It integrates internal current limiting, thermal shutdown protection, and safe-area compensation which make them virtually immune from output overload. If adequate heat sinking are provided, these regulators can deliver output currents up to 100mA.

The device is a RoHs compliant SOT89-3L package.

■ Features

- Input Voltage up to: 30 V
- Output Voltage: 5 V
- Output Current: 100mA
- Output Voltage Accuracy of $\pm 5\%$ over the Full Temperature range
- Output Transistor Safe-area Protection
- Internal Thermal Overload Protection
- Internal Short-circuit Current Limit

■ Applications

- Consumer Electronics
- Microprocessor Power Supply

■ Pin Configuration

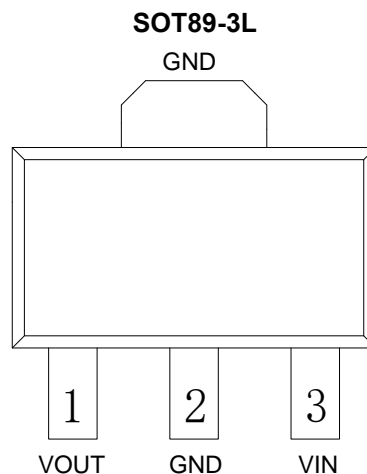


Figure 1, Pin Assignments of OCP78L05 (Top View)

Pin No.	Pin Name	Pin Function
1	VOUT	Regulator Output Pin. Bypass a 0.1 μ F capacitor to ground.
2	GND	Ground
3	VIN	Regulator Input Pin. 0.33 μ F decouple capacitor is needed.

■ Typical Application Circuit

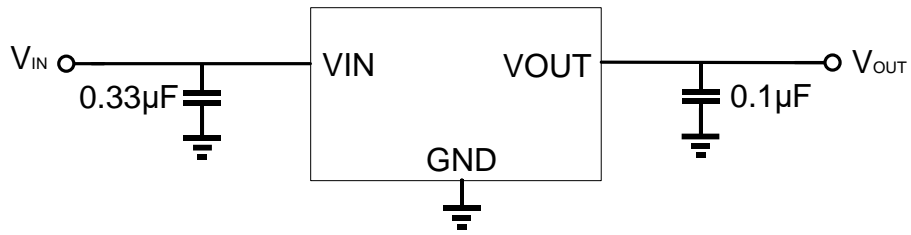


Figure 2, Typical Application Block diagram of OCP78L05

■ Block Diagram

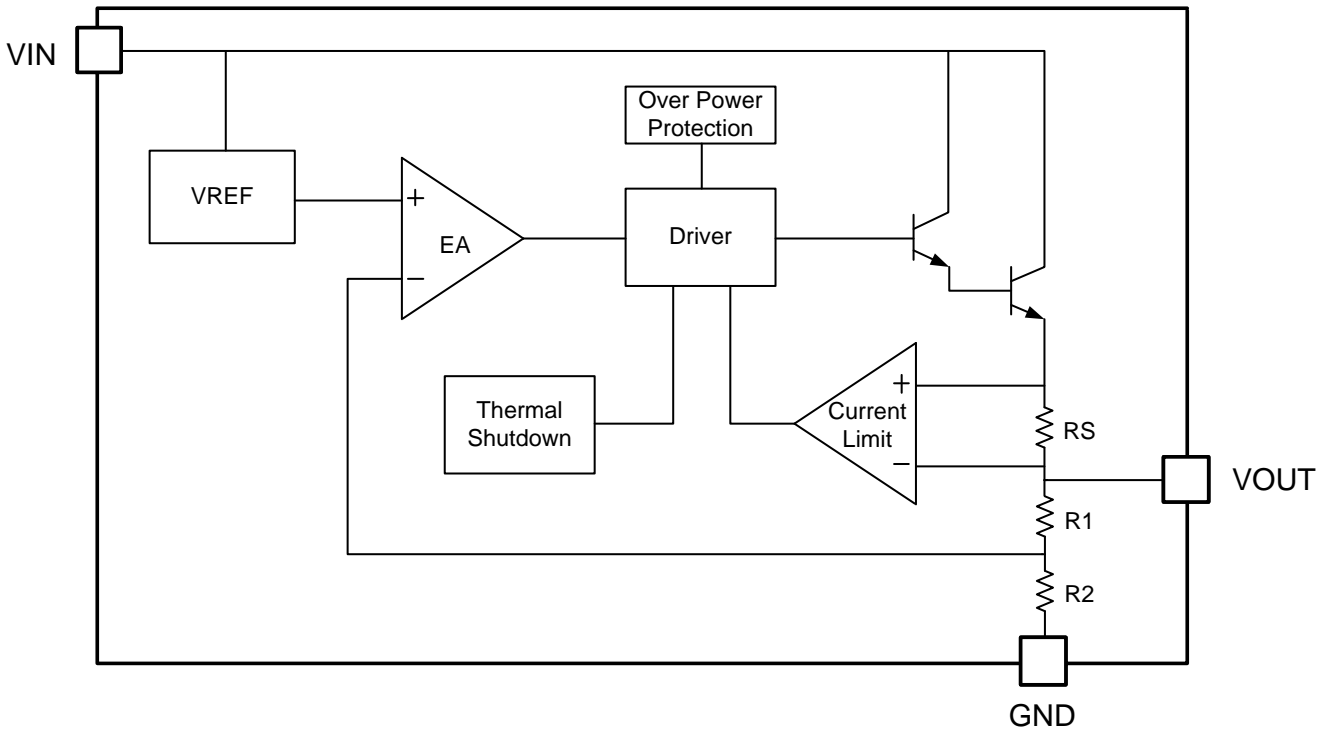


Figure 3, Block diagram of OCP78L05